



RED-SPLT-1X4-HDMI

Product Manual

HDMI 2.0 Splitter 1x4

Full 4K60 4:4:4 + Distribution Amplifier



www.redatomproducts.com

Introduction

The **RED-SPLT-1X4-HDMI** is an 18Gbps HDMI 2.0b splitter designed for seamless integration between a single input and four display devices. Featuring full 4K60 HDR, High Bit Rate Audio support, EDID and CEC passthrough, the **RED-SPLT-1X4-HDMI** simplifies the process of adding an additional HDMI display device to your system.

The **RED-SPLT-1X4-HDMI** is the perfect distribution amplifier for your next bar, restaurant, digital signage, commercial or residential installation.

Features:

- 4K 4-Way HDMI Splitter
- One HDMI in, Four identical HDMI out
- Full HDMI 2.0b Support
- Supports up to 18Gbps with resolutions up to 4K60 4:4:4
- CEC Passthrough (HDMI Output 1)
- EDID Passthrough (HDMI Output 1)
- Mounting ears included for easy installation to walls or furniture

Specifications

Video:

- Video Resolutions: Up to 4K60 4:4:4
- VESA Resolutions: Up to 4096X2160 (DCI 4K)
- Chroma Supported: 4:4:4, 4:2:2, 4:2:0, RGB (Limited and Full)
- Deep Color: Up to 16 Bit (1080p) Up to 12 Bit (4K)

Audio:

- LPCM (Up to 192KHz 24 bit): 2.0, 5.1, 7.1
- Dolby: Dolby Digital, Dolby Digital Plus, Dolby TrueHD, Dolby Atmos
- DTS: DTS 6.1 ES, DTS HRA, DTS Master Audio, DTS:X

Dimensions:

- Block Size: 4.75" x 3" x .75" (WxLxH)

Included in the Box:

- 1x4 HDMI Splitter
- Power cord
- Mounting brackets

Panel Descriptions



Front Panel:

- SERVICE USB input — For service & firmware updates only; **Do not use.**
- HDMI IN input
- HDMI LED activity display

IN

Light On — Unit has sync with an HDMI source device

Light Off — Unit is not synced with an HDMI source device

OUT1

Light On — Unit has sync with an HDMI display device

Light Off — Unit is not synced with an HDMI display device

OUT2

Light On — Unit has sync with an HDMI display device

Light Off — Unit is not synced with an HDMI display device

OUT3

Light On — Unit has sync with an HDMI display device

Light Off — Unit is not synced with an HDMI display device

OUT4

Light On — Unit has sync with an HDMI display device

Light Off — Unit is not synced with an HDMI display device



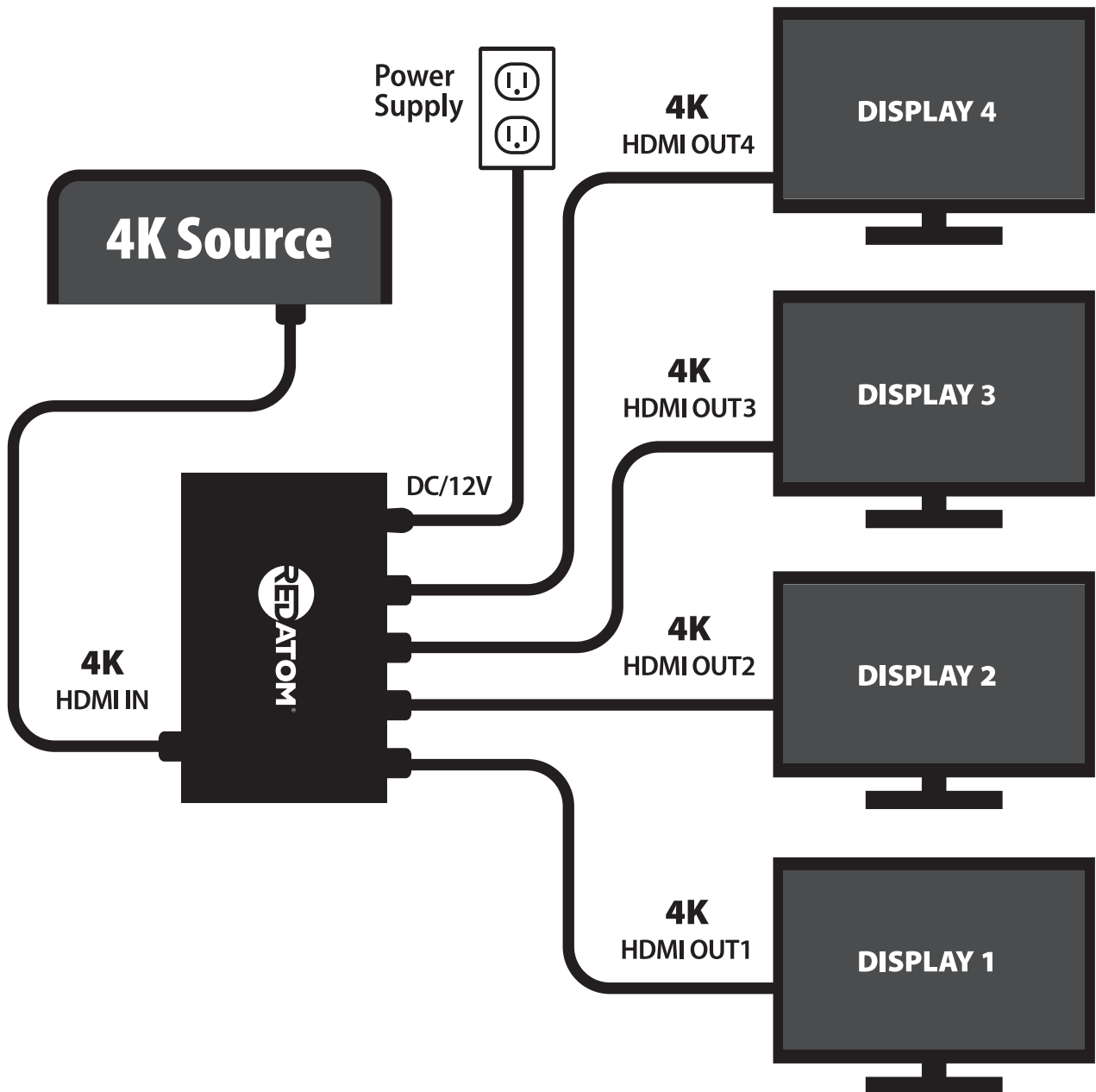
Back Panel:

- HDMI OUT1 output
- HDMI OUT2 output
- HDMI OUT3 output
- HDMI OUT4 output
- DC/12V — power supply input

Connections and Operations

1. Connect the HDMI input source into the RED-SPLT-1X4-HDMI HDMI IN input
2. Connect the HDMI from the displays into the RED-SPLT-1X4-HDMI HDMI OUT1, HDMI OUT2, HDMI OUT3, and HDMI OUT4
3. Insert the DC end of the power supply into the RED-SPLT-1X4-HDMI and then plug the AC side of the power supply into the power outlet
4. The unit automatically powers up when plugged in

Connection Diagram:



Troubleshooting

No power

- Ensure DC power supply is inserted fully and tightened completely

No HDMI IN LED

- Ensure HDMI cable lengths are less than 10 Meters (~33ft)
- Ensure Source Device's resolution is a maximum of 18Gbps or 4K60 4:2:2/4:4:4 8Bit

No HDMI OUT1/2/3/4

- Ensure HDMI cable lengths are less than 10 Meters (~33ft)
- Ensure Source Device's resolution is a maximum of 18Gbps or 4K60 4:2:2/4:4:4 8Bit
- Ensure that HDMI Display Device is powered on
- Ensure that HDMI Display Device on HDMI Output 1 is not in 8K enhanced or HDMI 2.1 Mode

Warranty Information

- This warranty applies to US Residents who purchase from an authorized RED ATOM Dealer. RED ATOM media distribution products are covered against defects in materials and workmanship for 1 year from date of purchase.
- Within the warranty period, RED ATOM will repair or replace the defective component or product, at its sole discretion.
- **For warranty service:**
 - For RED ATOM media distribution products that were professionally installed, contact your installer directly.
 - For all other service requests, contact RED ATOM at info@redatomproducts.com.
- For all warranty service requests, you must supply a copy of your original receipt and installation service order if applicable. If your product must be shipped to RED ATOM for inspection, you will be responsible for the shipping charges. For warranty replacements, RED ATOM will ship product back to you for free.
- RED ATOM disclaims any liability for modifications, improper installations, accidental damage, or failure to follow care instructions provided by RED ATOM. To the maximum extent permitted by law, RED ATOM disclaims any other warranties, expressed or implied, including warranties of fitness for a particular purpose and warranties of merchantability. RED ATOM will not be liable for any damages arising out of the use of, or inability to use, RED ATOM. This warranty gives you specific legal rights, and you may also have other rights which vary from state to state. Specifications are subject to change without prior notice.



www.redatomproducts.com

Questions? Contact us at info@redatomproducts.com